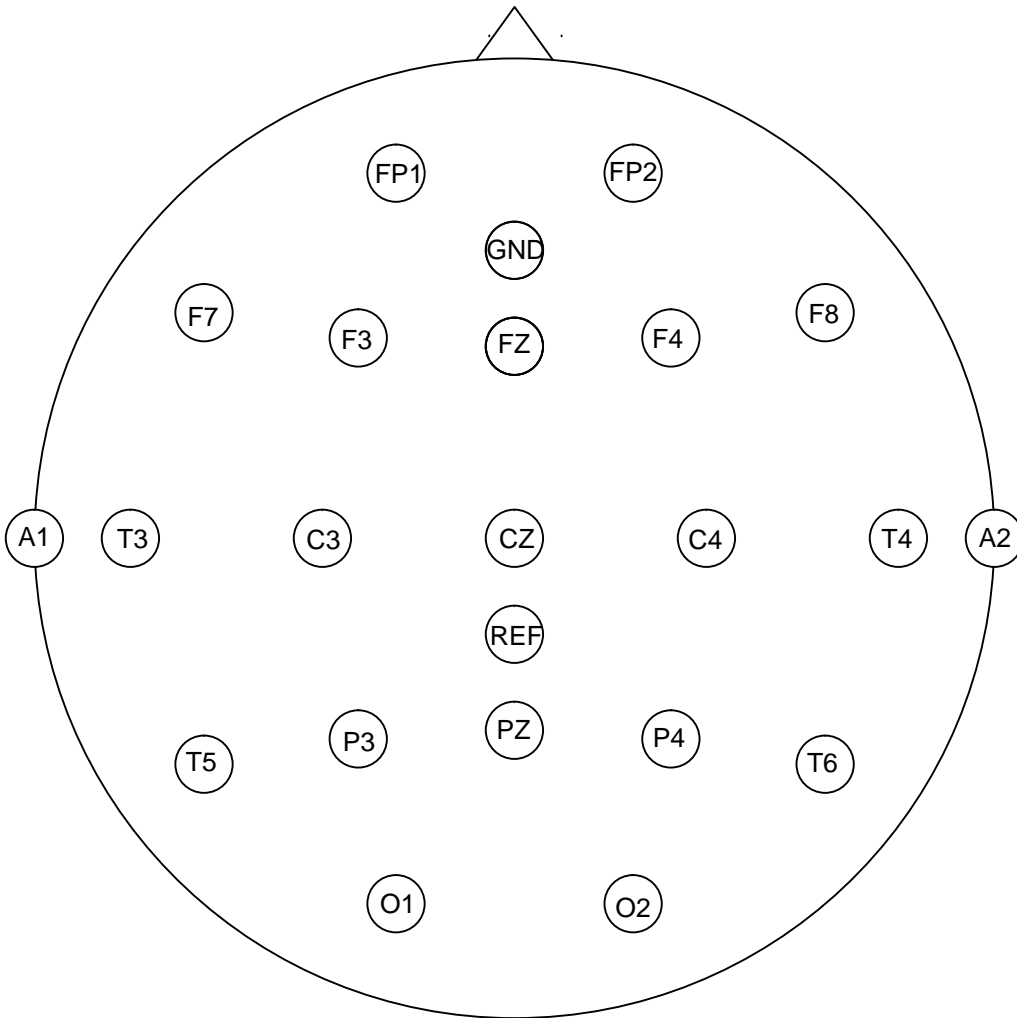
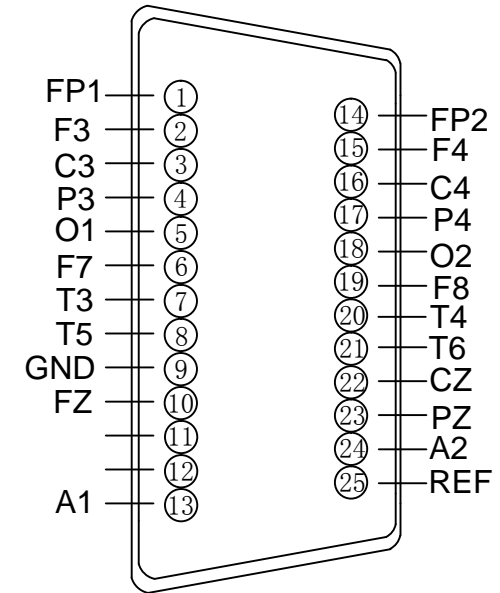


**Wuhan Greentek Pty.Ltd.
Engineering drawing**



Greentek standard 16ch Layout



Pinout chart

Processing requirements:

- 1、 Cap material: Elastic mesh cap, double layers;
- 2、 Electrode material: silver / silver chloride;
- 3、 Electrode Holder: S3 holder;
- 4、 Lead wire material: multi-strand Silver plated copper foil wire +bulletproof fibre + medical TPU outsider;
- 5、 Lead wire length: 1.5m;
- 6、 Connector: DB25 (male);

Product: GT Cap Gelfree-S3

Drawing No.: GREENTEK/TD-10

Version: V1.1